

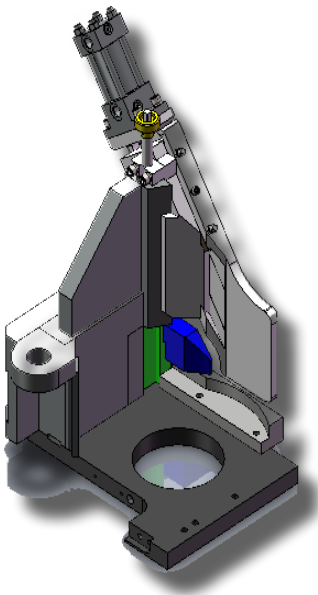


MURRAY LATTA
PROGRESSIVE MACHINE INC.

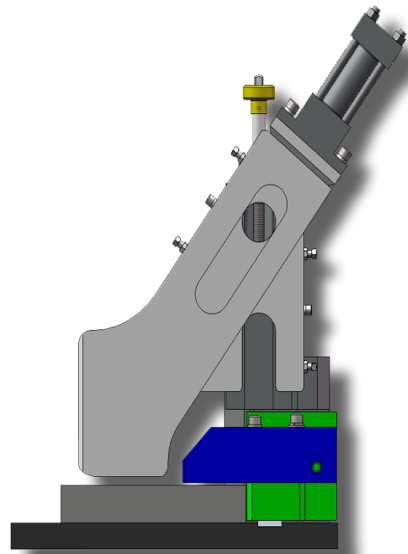
SAFETY PNEUMATIC HOLD DOWN SYSTEM

- Pneumatic Hold Down assemblies available for a variety of make and model planers
- Reduces Jam ups in planer by allowing the "hold downs" to float on top of the board

**Discounted
15%**



- Provides better finish on lumber by positively holding the lumber in position
- Ensures consistency by providing greater settings and control



www.mlpmachine.com

Promo valid from September 16th to December 31st 2022



For more information please contact our Forestry Parts Department
Phone# 604-599-9598 / Toll Free# 1-888-298-9877
forestrysales@mlpmachine.com

