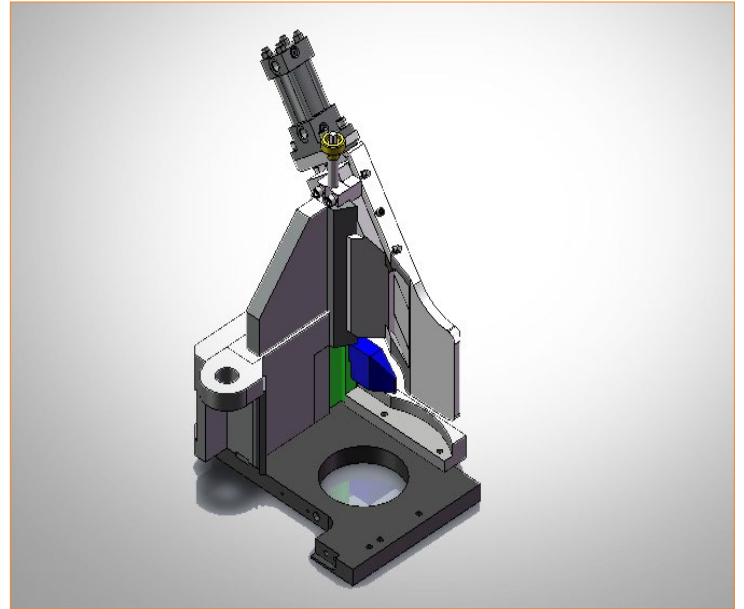
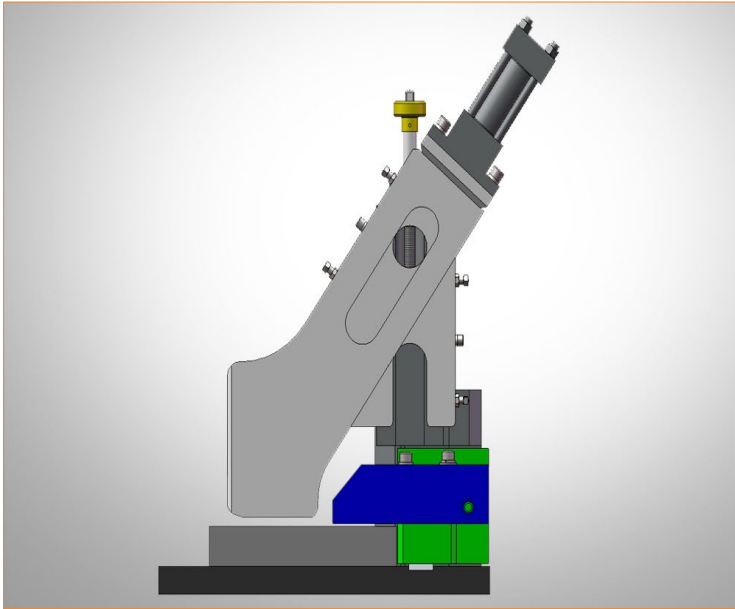




PNEUMATIC HOLD DOWN



FEATURES:

- * Pneumatic Hold Down assemblies available for a variety of make and model planers
- * Reduces Jam ups in planer by allowing the “hold downs” to float on top of the board
- * Provides better finish on lumber by positively holding the lumber in position
- * Ensures consistency by providing greater setting and control

Please contact us for more information about this and other planer mill upgrades we offer