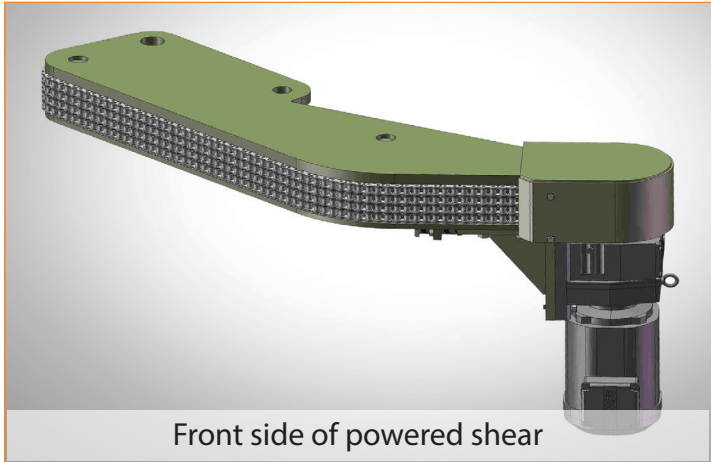
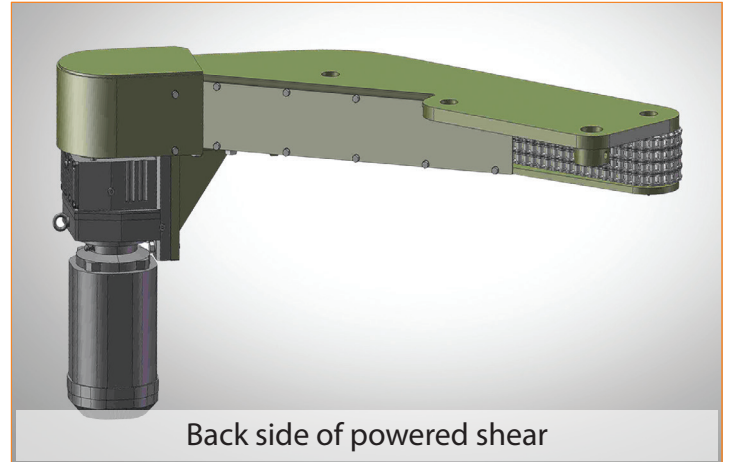




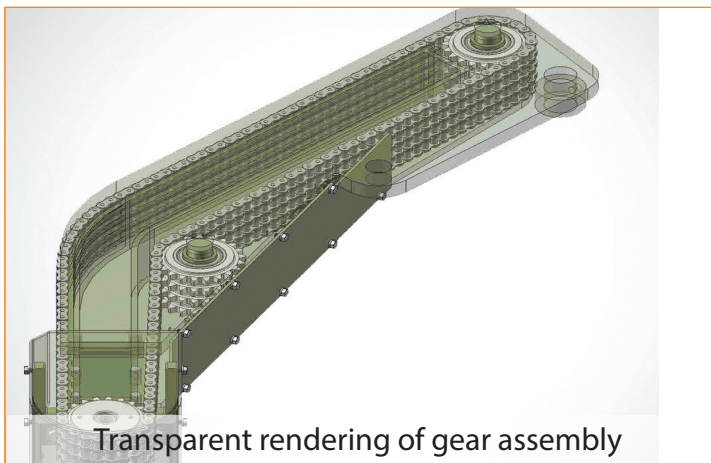
POWERED SHEAR



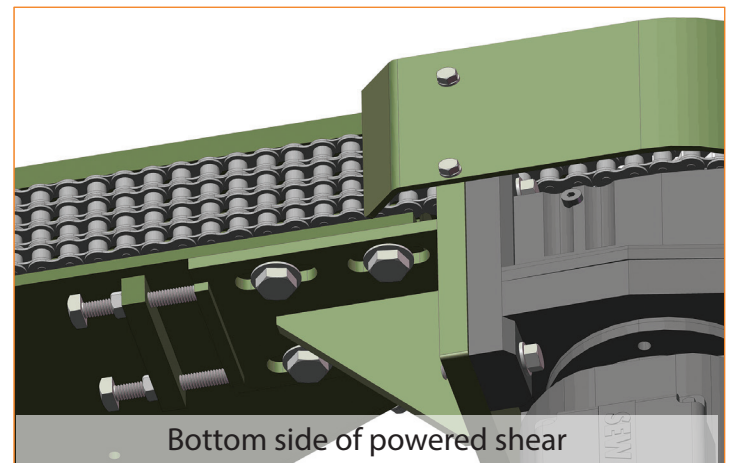
Front side of powered shear



Back side of powered shear



Transparent rendering of gear assembly



Bottom side of powered shear

POWERED SHEAR FOR FEED TABLE

- * Sew Eurodrive Gearmotor assembly, 5HP, voltage to mill specs
- * Available for all make and model feed tables

ADVANTAGES

- * Runs parallel to lumber lines
- * Provides positive feed
- * No edge tear outs
- * Reduce graping between boards
- * Significant increase in production
- * Reduces skewing for a more positive feed
- * Robust design and simple installation

Please contact us for more information about this and other planer mill upgrades we offer