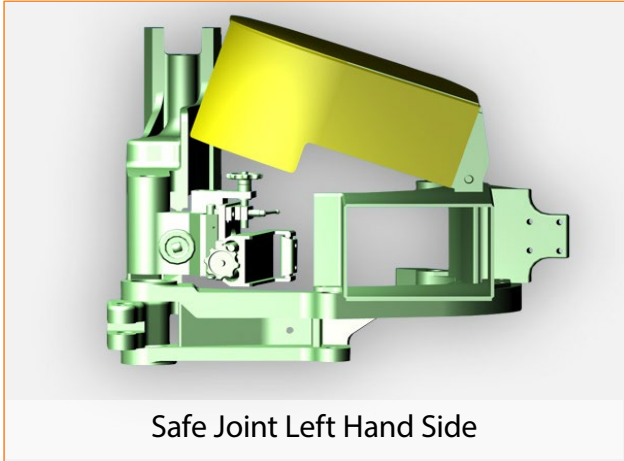
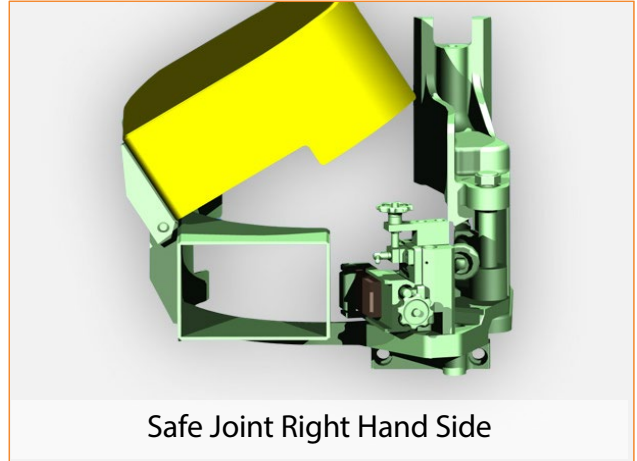




SIDE HEAD SAFETY PLUNGE JOINTER



Safe Joint Left Hand Side



Safe Joint Right Hand Side

SAFETY FIRST

JOINT WITHOUT REMOVING THE SIDE HEAD HOODS

- * Newly designed and manufactured with safety and convenience in mind for your planer mill operation

OTHER BENEFITS

- * Provides safe & easy access for operator to joint head without being exposed to potential injury
- * Jointers are interchangeable between sides and can easily be removed to eliminate any possible damage
- * Quicker and more accurate jointing
- * Precision allows for more accurate and consistent joints providing extended knife life
- * Provides superior safety and a better finished product

PAYBACK

The payback for safety jointers can be seen in both **time saved** and **improved safety** for all employees. Below is an approximation of time savings on conventional jointing vs. our safety jointer:

CONVENTIONAL JOINTER:

1. Shut down head and lock out.....1/2 min
2. Remove hood and blow pipe.....1/2 min
3. Set up jointer.....1/2 min
4. Remove lock & start head.....1/2 min
5. Joint the head.....1/2 min
6. Shut down head and lock out.....1/2 min
7. Take jointer off.....1/2 min
8. Put hood and blow pipe back in place....1/2 min
9. Remove lock and start head.....1/2 min

TOTAL TIME 5 MINUTES

SAFETY JOINTER:

1. Stop lumber running through planer.....0 min
2. Mount jointer.....1/2 min
3. Lift slide and joint and drop slide.....1 min
4. Start lumber through planer again.....0 min

TOTAL TIME 1.5 MINUTES

TOTAL TIME SAVED PER JOINT 3.5 MINUTES

FULL PAYBACK (APPROX.) 60 SHIFTS

Please contact us for more information about this and other planer mill upgrades we offer